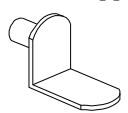

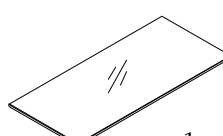

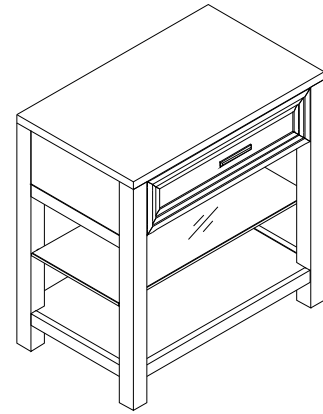


**Components and Hardware List**

<p>Glass Shelf Support</p>  <p>A 4 pcs.</p>	<p>Plastic</p>  <p>B 4 pcs.</p>	<p>Glass Shelf</p>  <p>C 1 pc.</p>
<p>Anti-Tip Restraint Kit (attached to back of unit)</p>  <p>D 1 pc.</p>		



**73468**  
**1-DRAWER NIGHTSTAND**

Be sure to check all packing material carefully for small parts, which may have come loose inside the carton during shipment.

For product and personal safety, Anti-Tip Restraint kits have been included with this cabinet which can help to minimize the risk of the cabinet accidentally tipping forward, if used and properly installed per the kit manufacturer's instructions.

